



Course: Electronics I

Course Code: EC238

Lecturer: Dr. Amr Bayoumi

Tutors: Eng. Sherry Heshmat

Sheet (6)

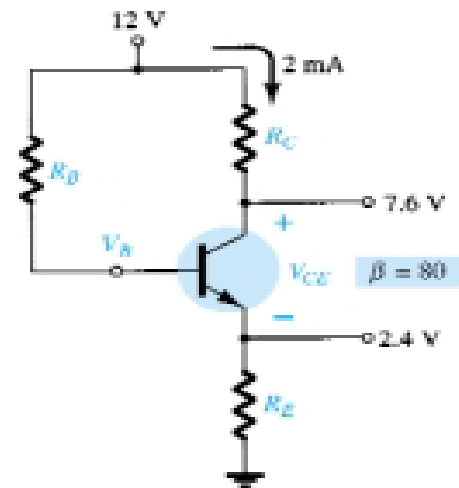
Name:

ID:

Question (1)

Determine:

- I_B
- R_C
- R_B
- V_B



Question (2)

Given : $V_{CC} = -12\text{ v}$

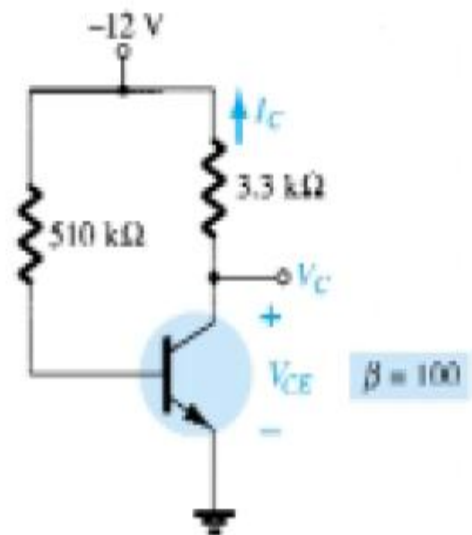
$R_B = 510\text{ k}\Omega$

$R_C = 3.3\text{ k}\Omega$

$\beta = 100$

Determine

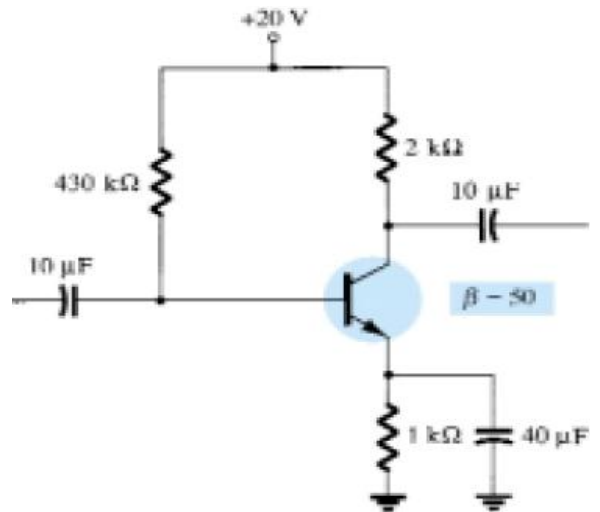
- I_B
- V_B
- V_{CE}



Question (3)

Determine:

- a) I_B
- b) I_C
- c) I_E
- d) V_B
- e) V_{CE}



Question (4)

Determine:

- a) I_B
- b) I_C
- c) I_E
- d) V_B
- e) V_{CE}

