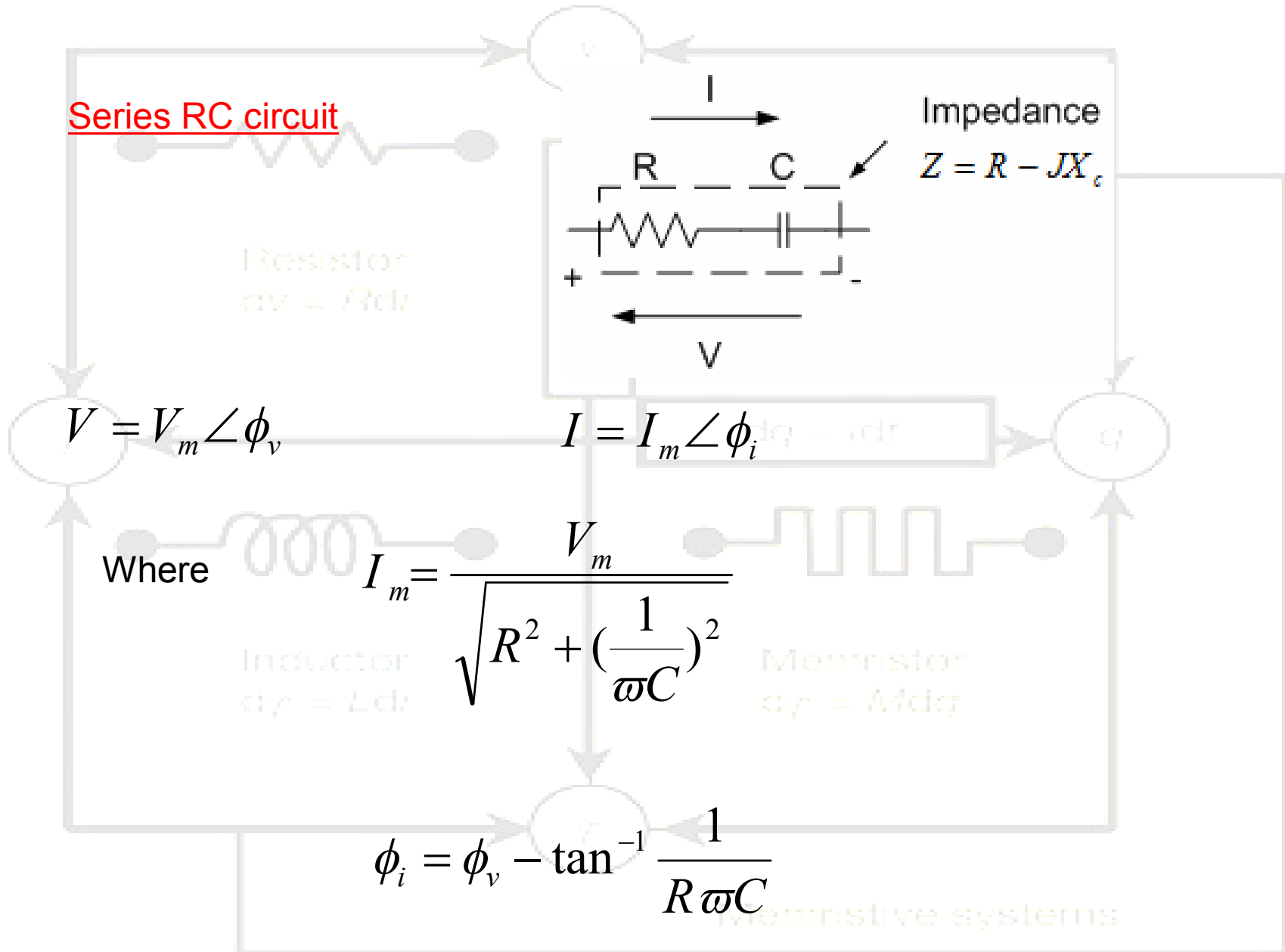
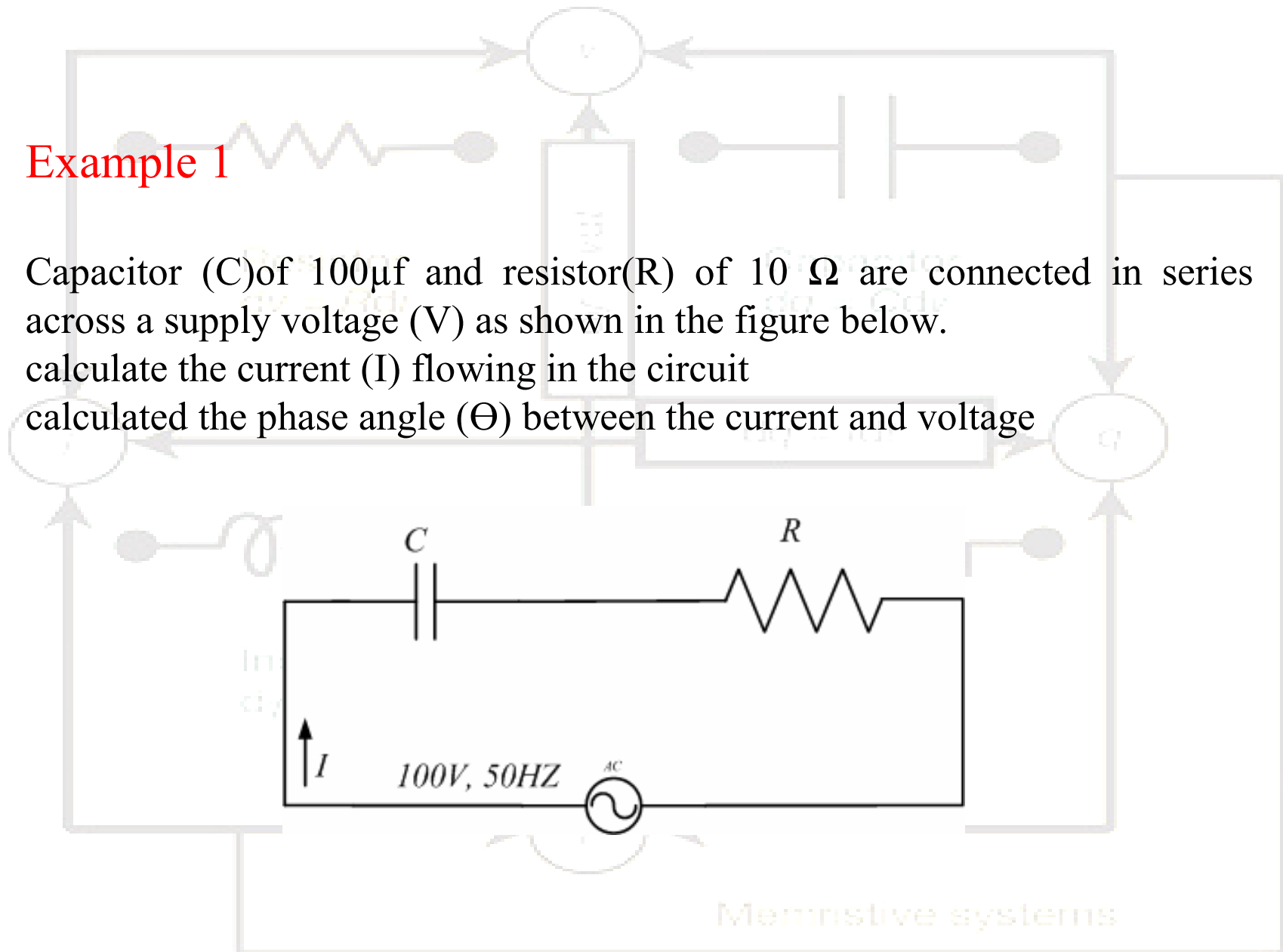


Series RC circuit

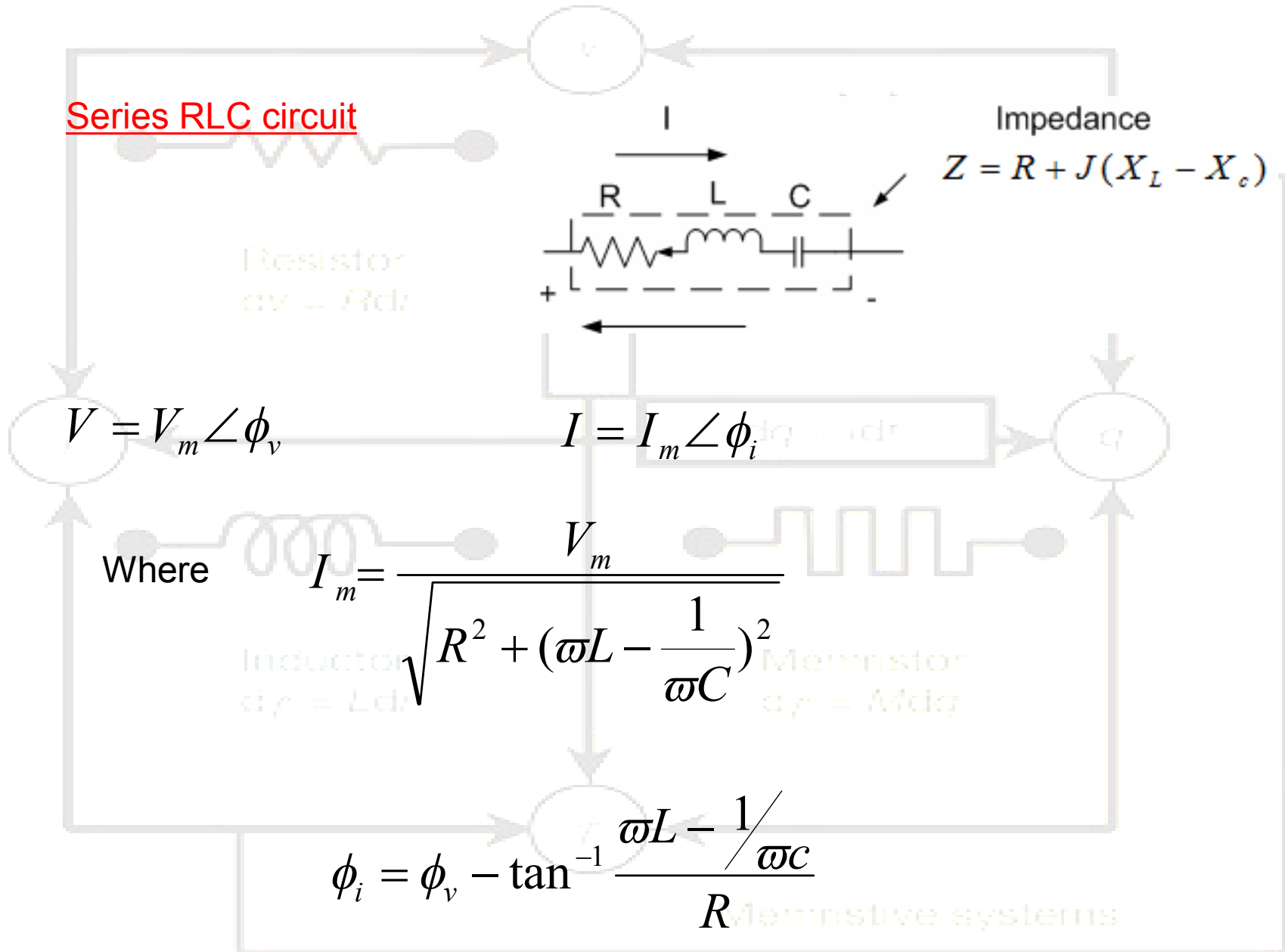


Example 1

Capacitor (C) of $100\mu\text{f}$ and resistor (R) of $10\ \Omega$ are connected in series across a supply voltage (V) as shown in the figure below.
calculate the current (I) flowing in the circuit
calculated the phase angle (Θ) between the current and voltage



Series RLC circuit



Example 2

A circuit consists of R.L.C connected in series as shown in the figure below, calculated the value of the current (I) showing if it is leading or lagging in the following two cases

frequency $F=50\text{HZ}$

frequency $F=150\text{HZ}$

