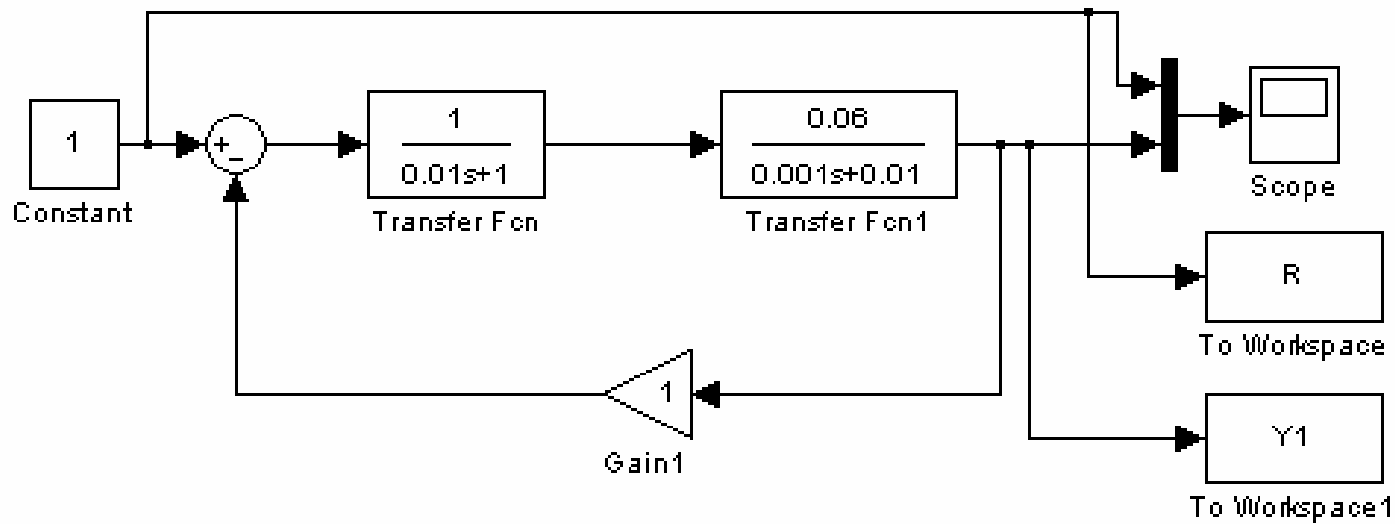
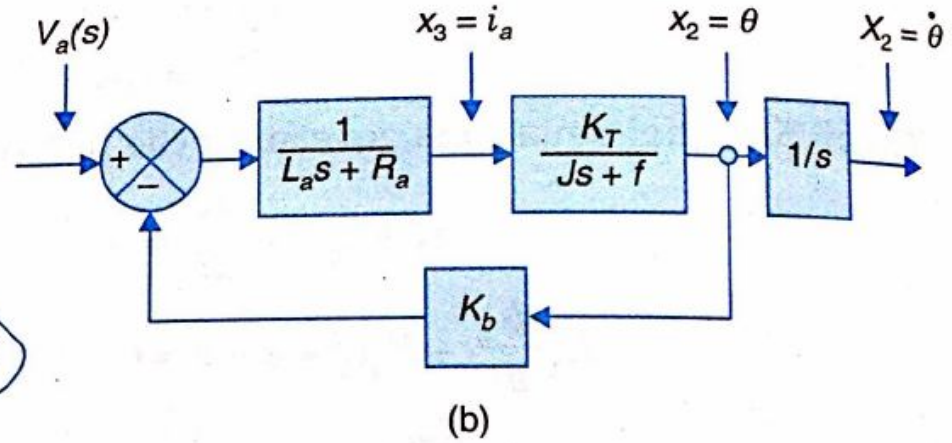
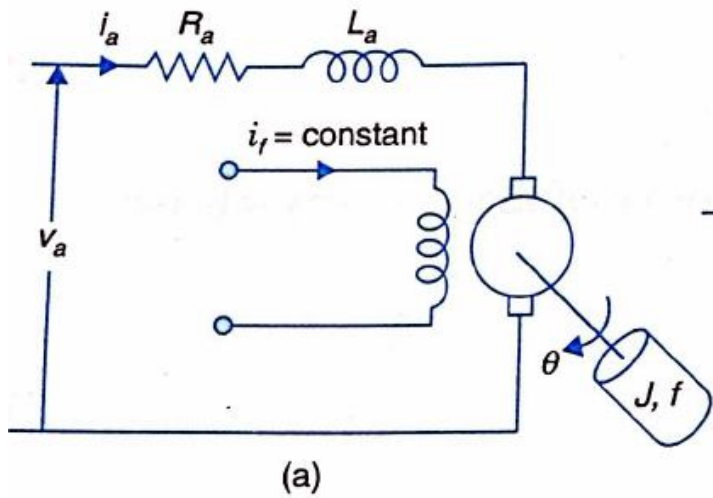


Control Systems II

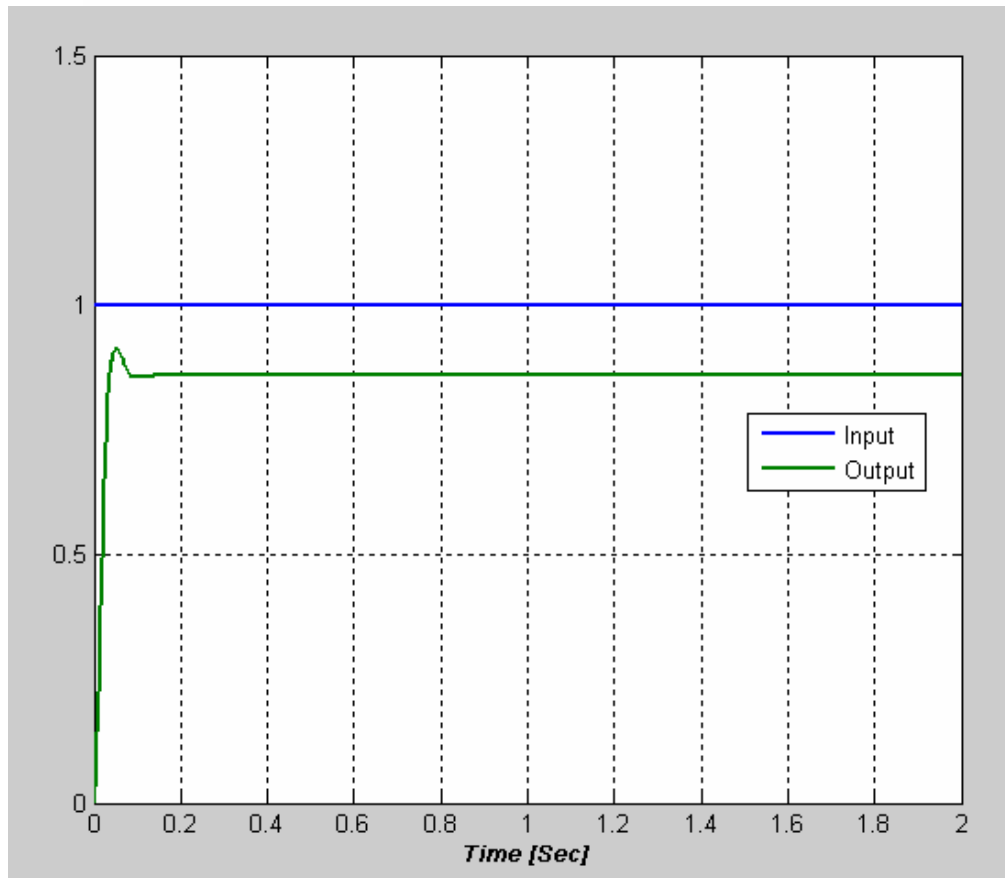
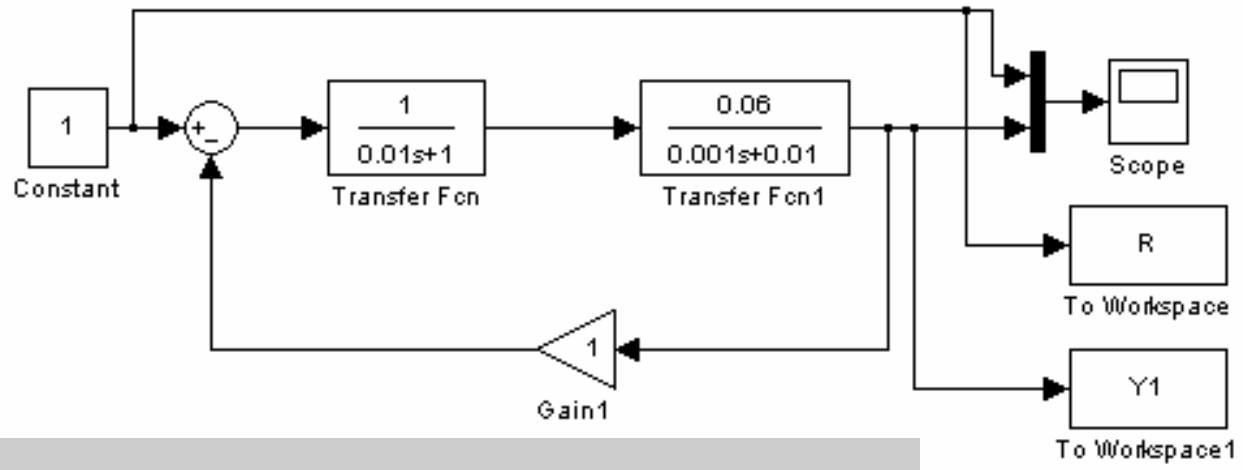
Example 2

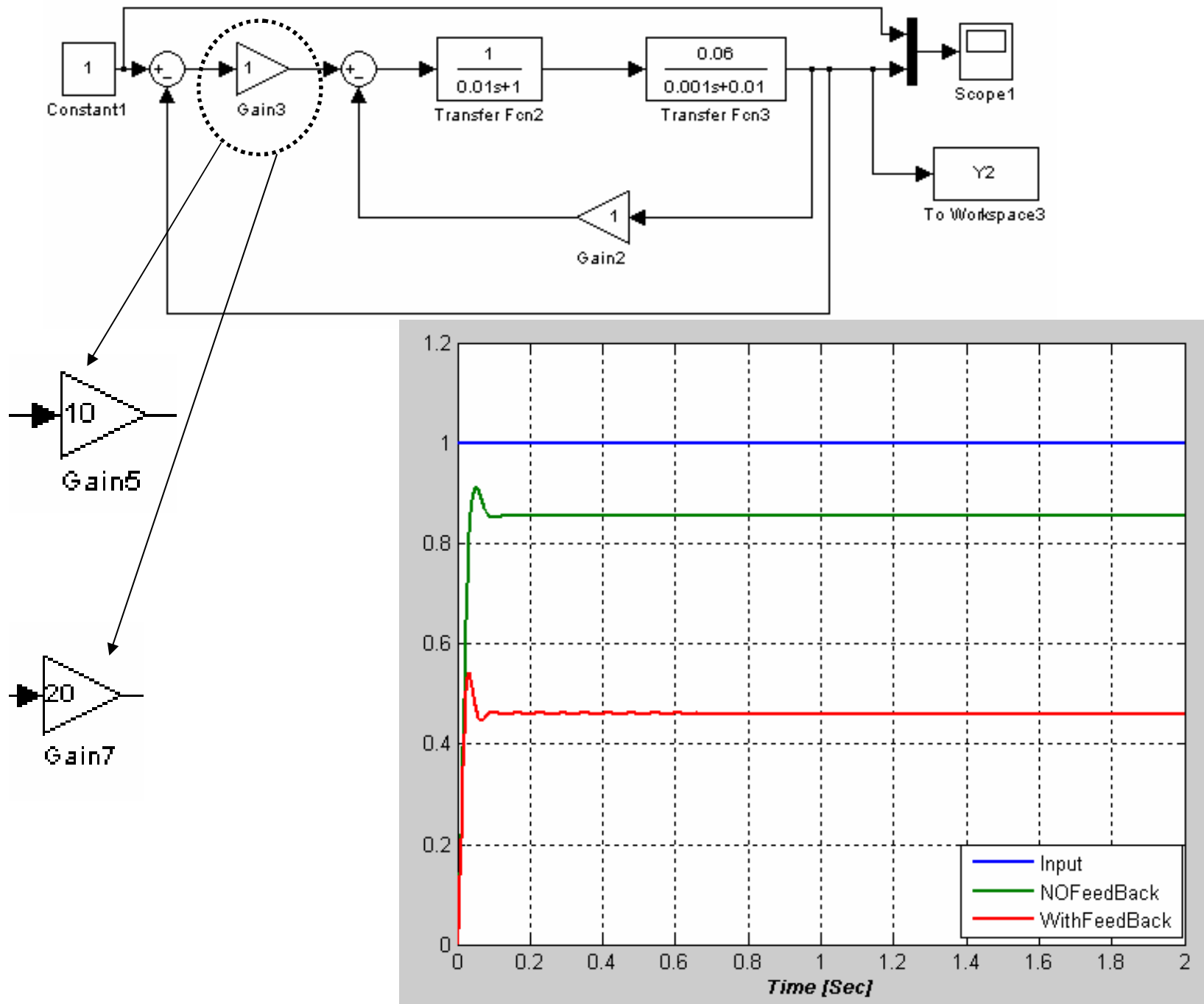
<Dr Ahmed El-Shenawy>

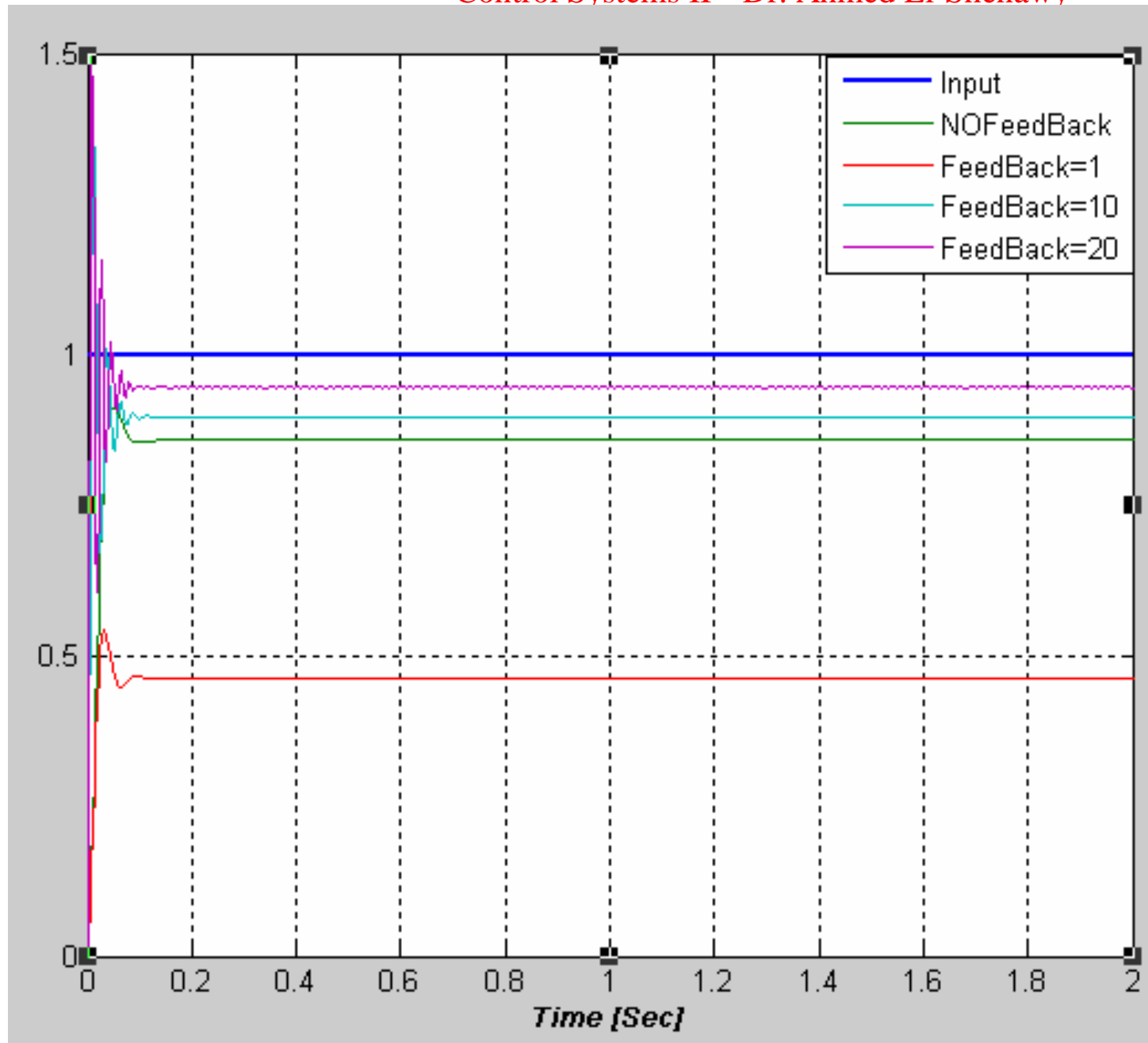


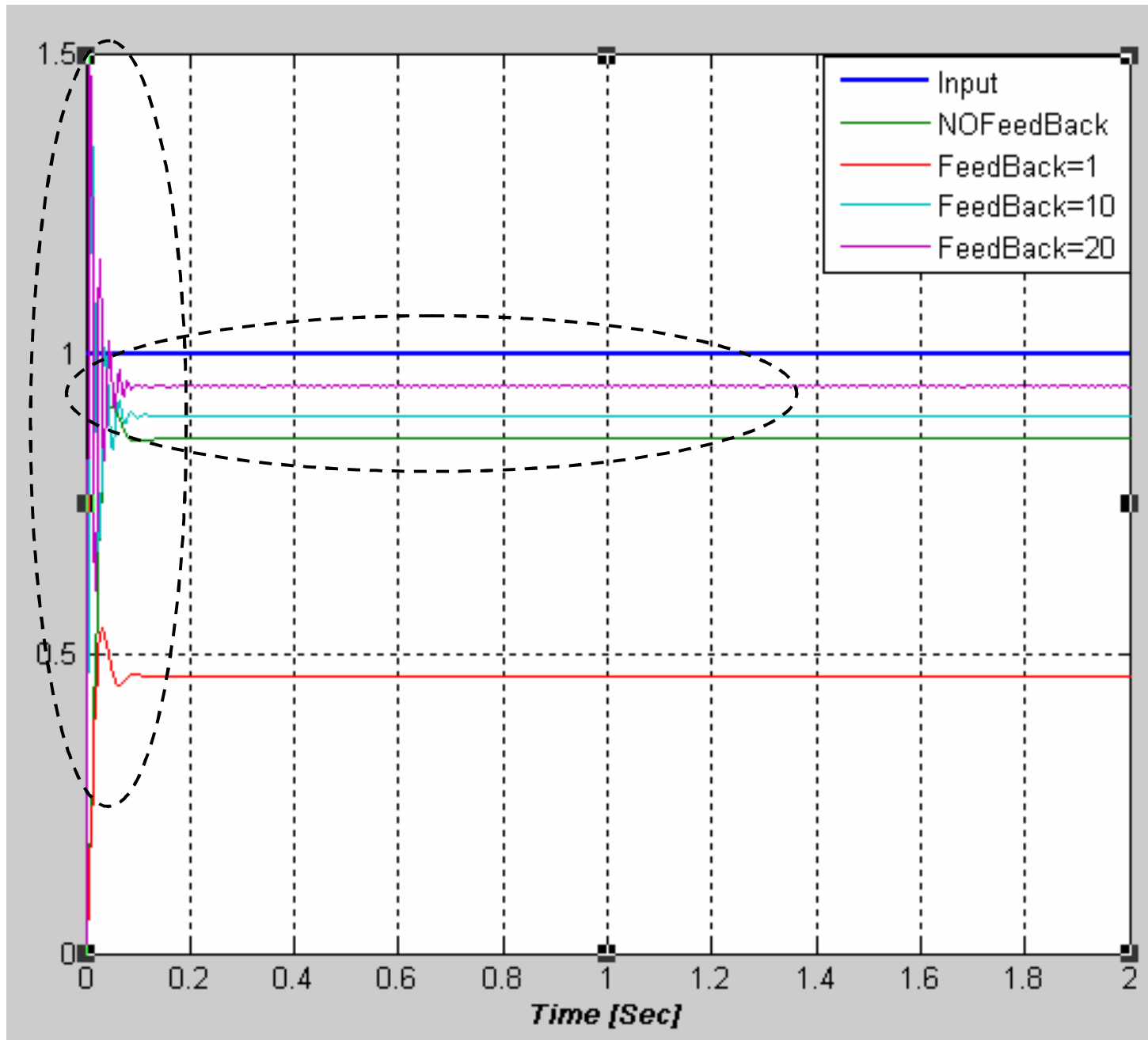
Lecture 2

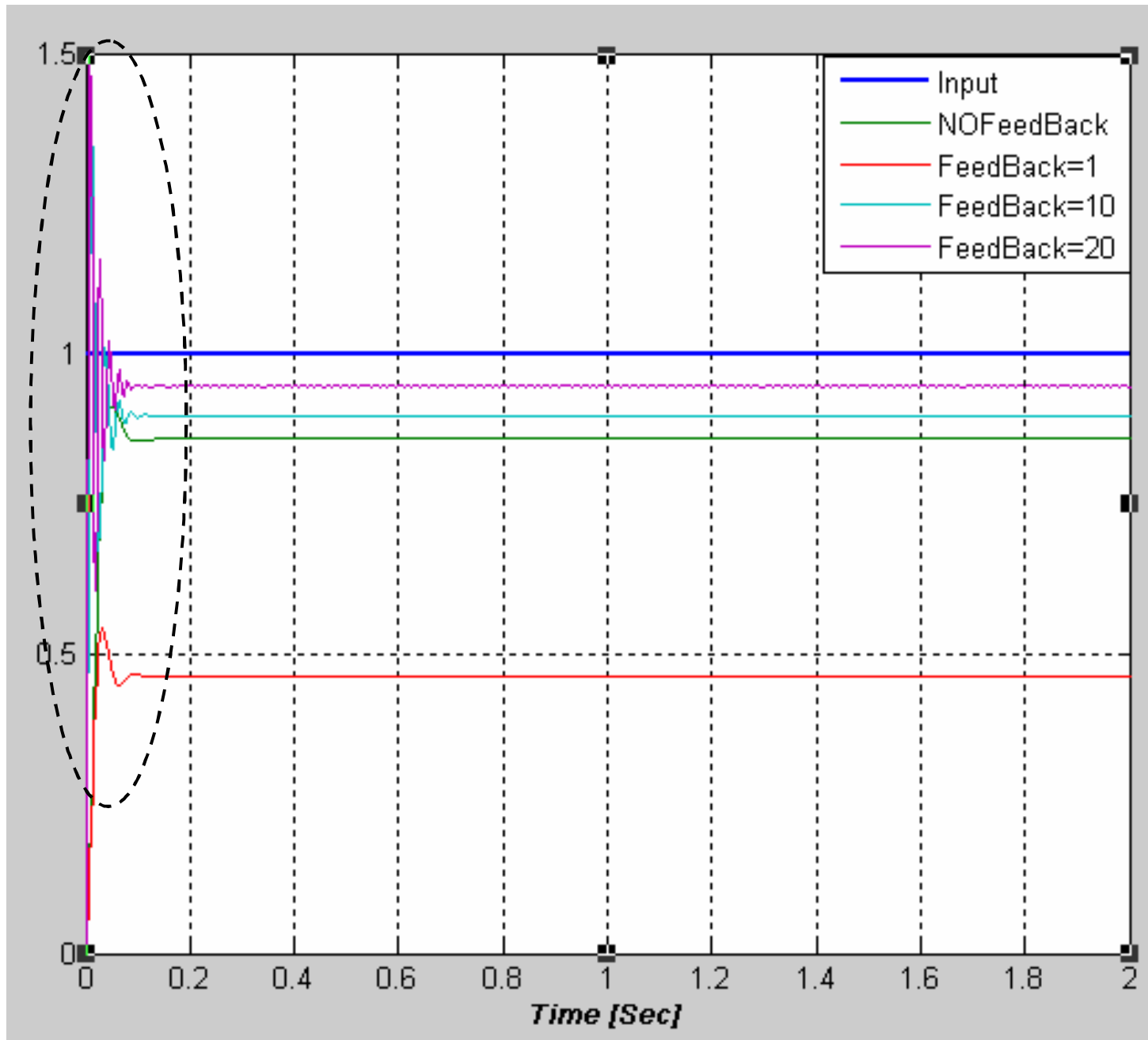
7”

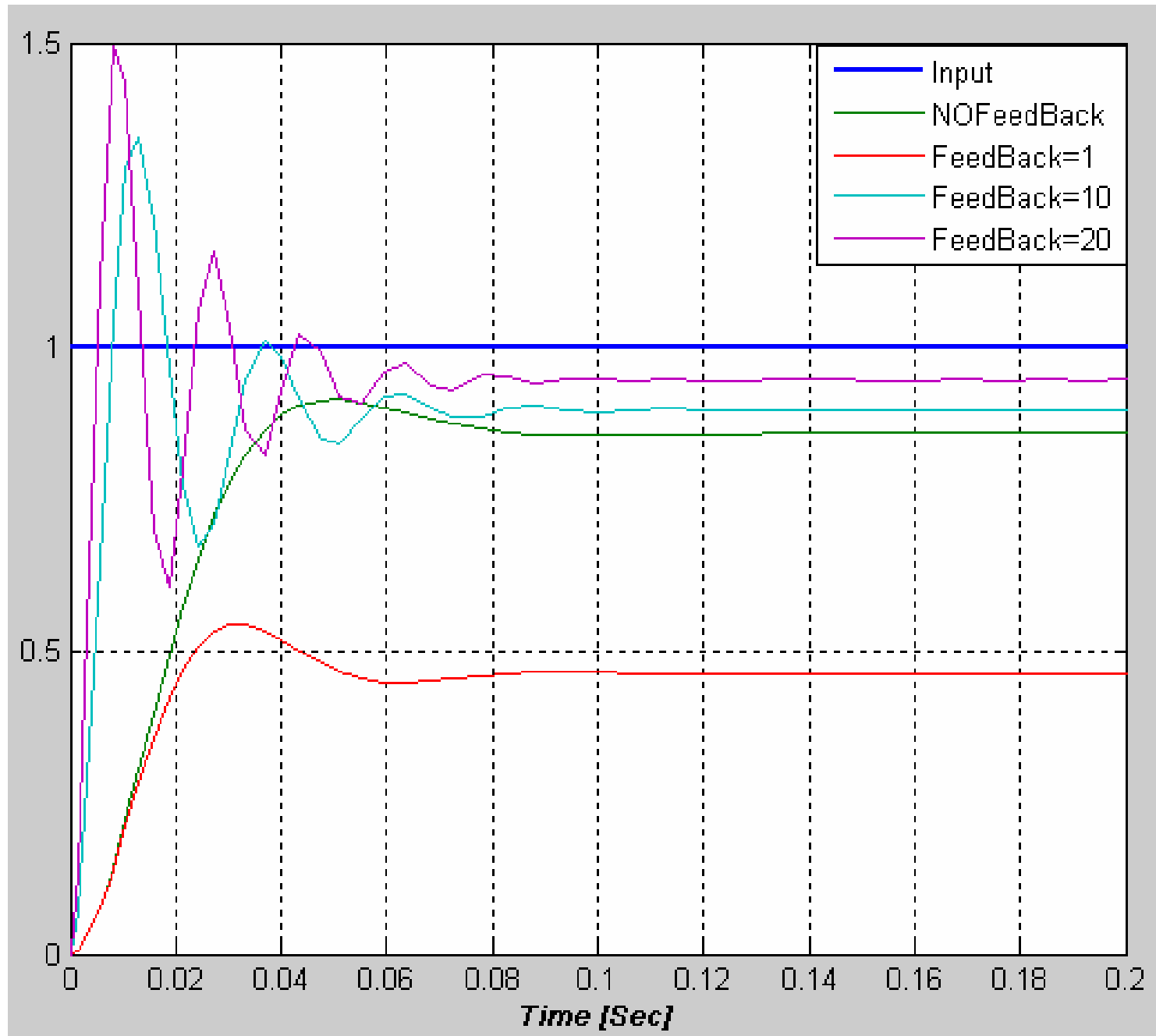


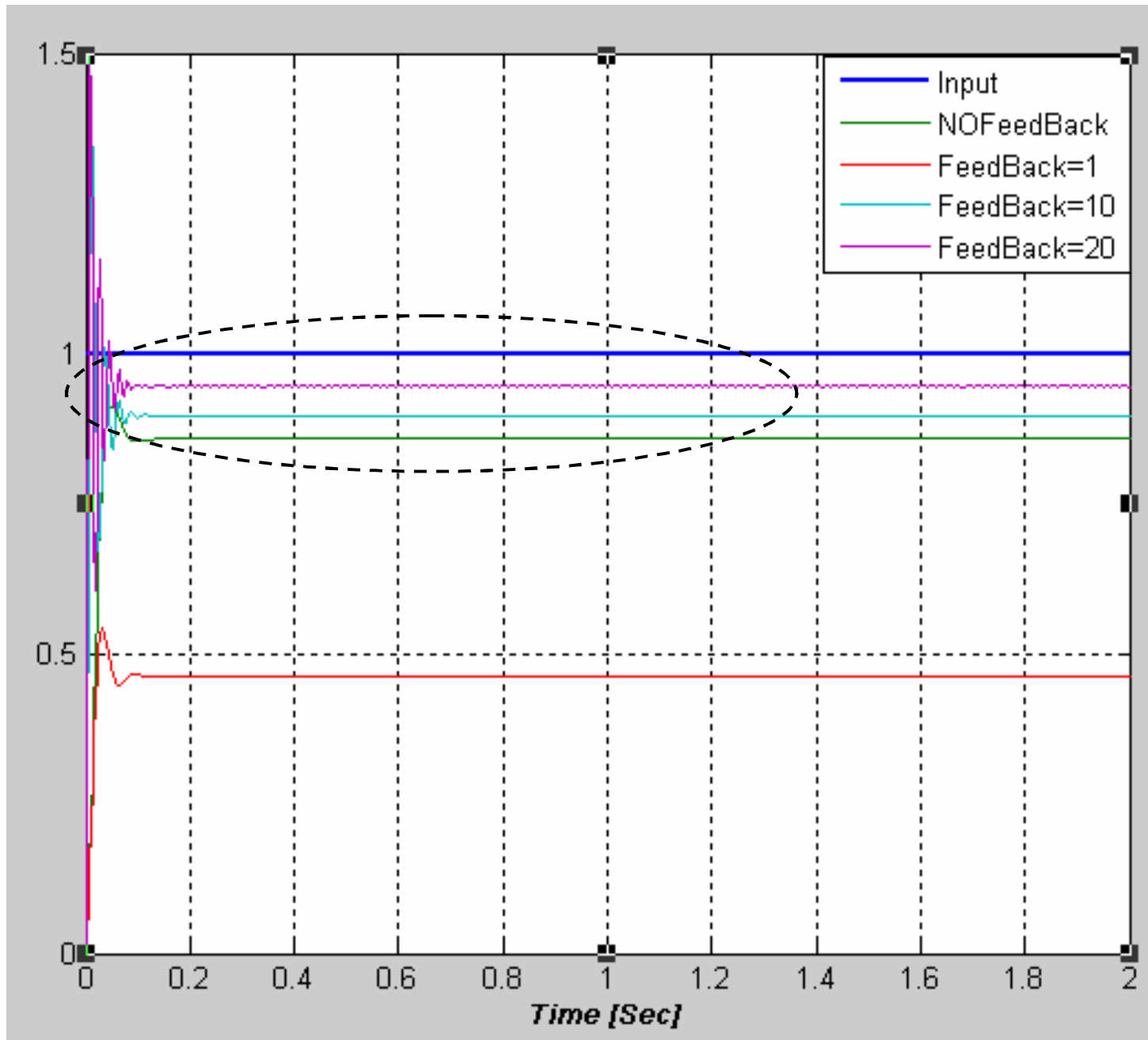


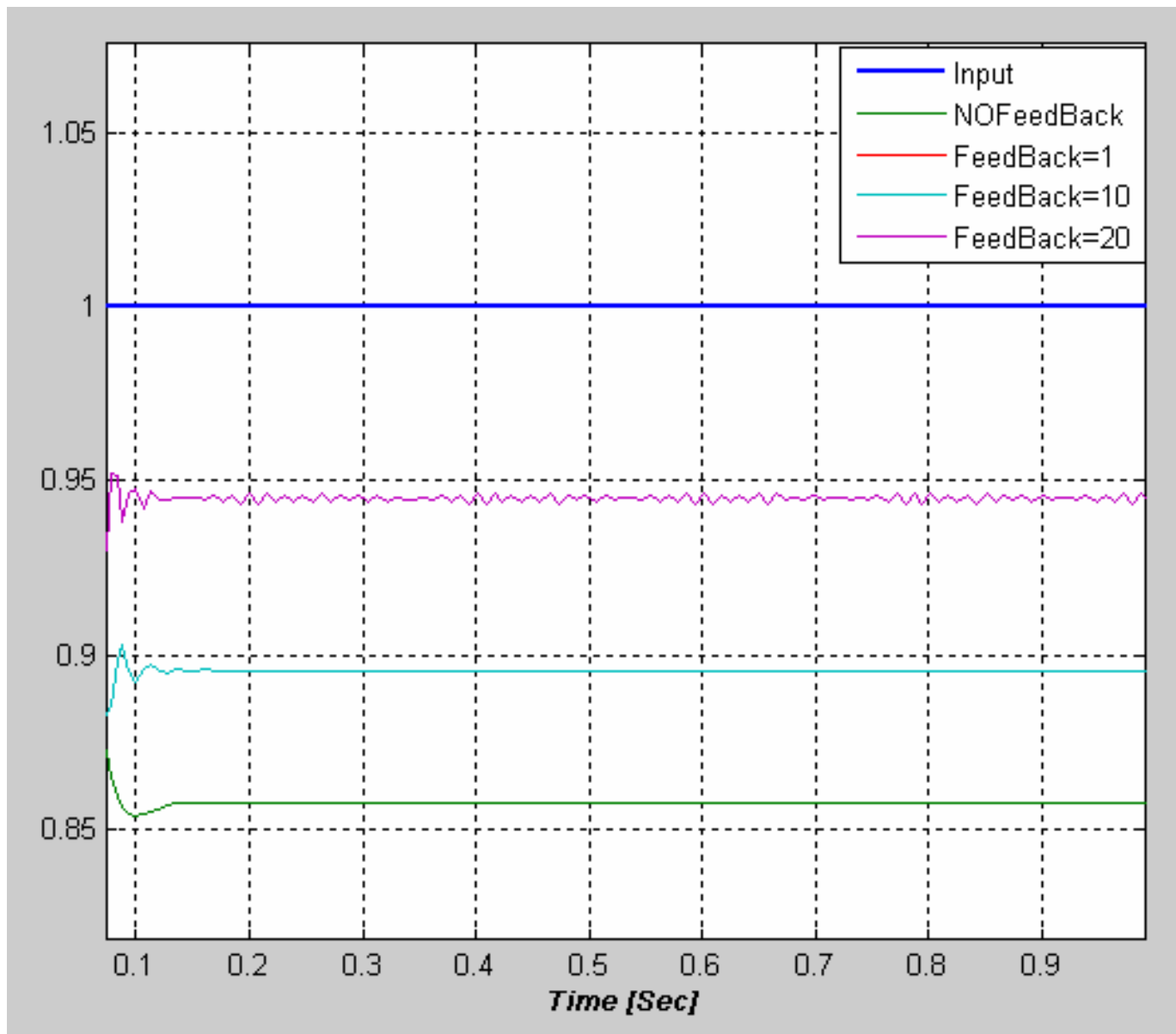




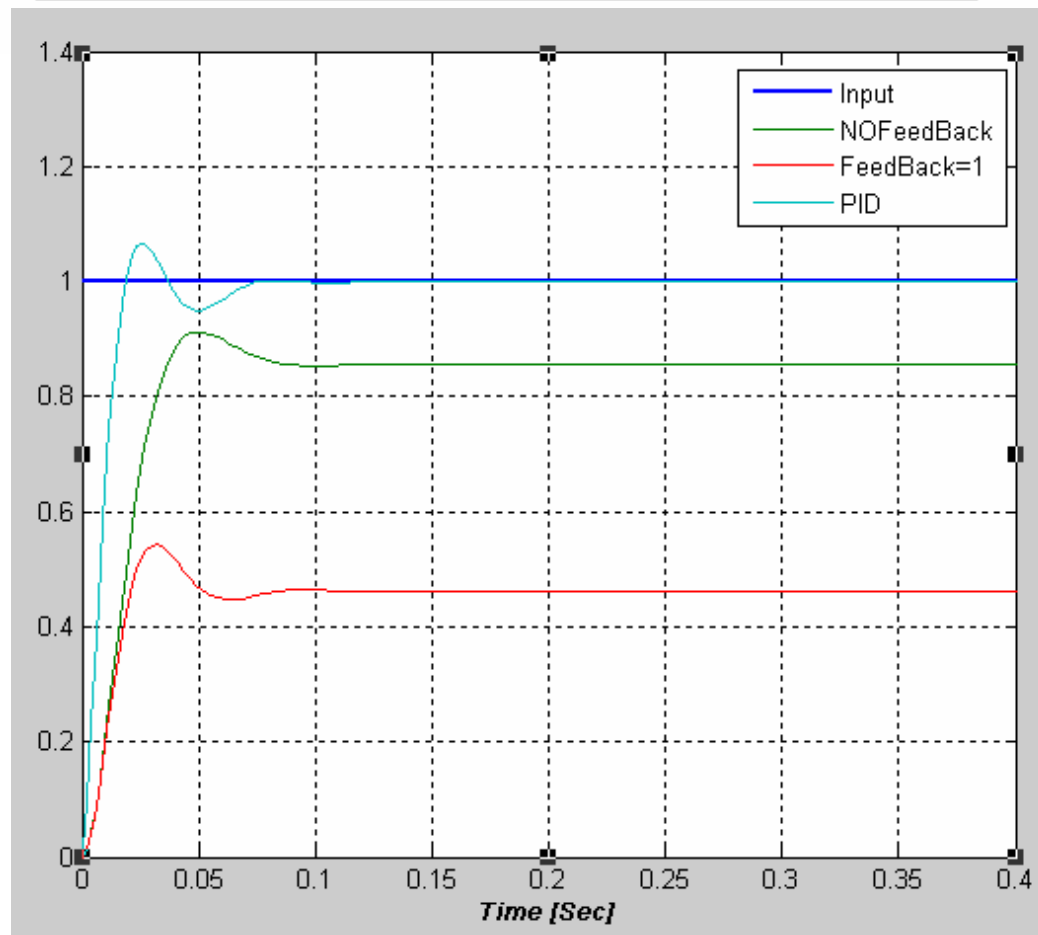
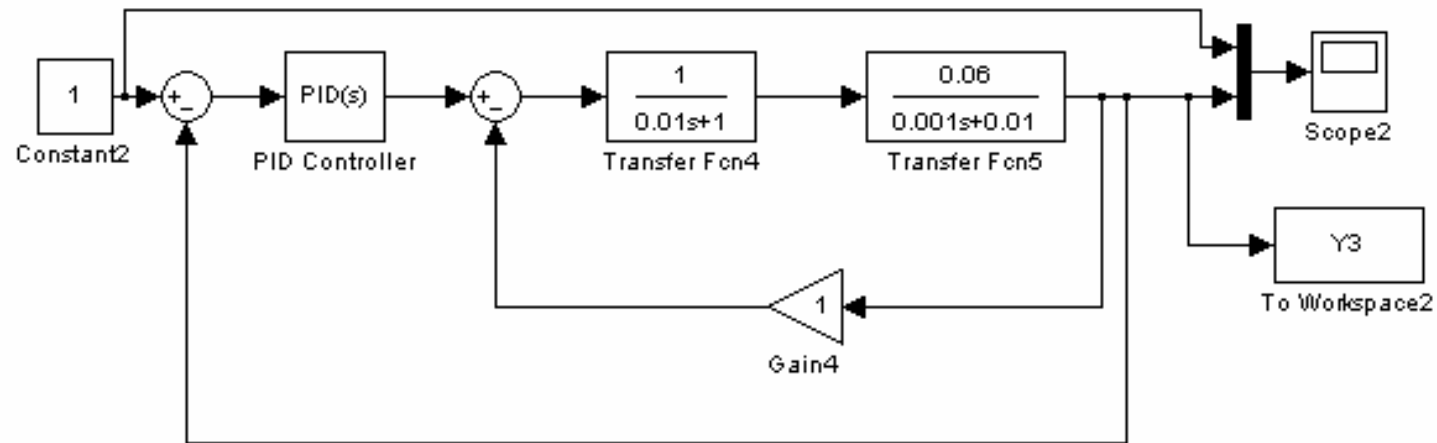




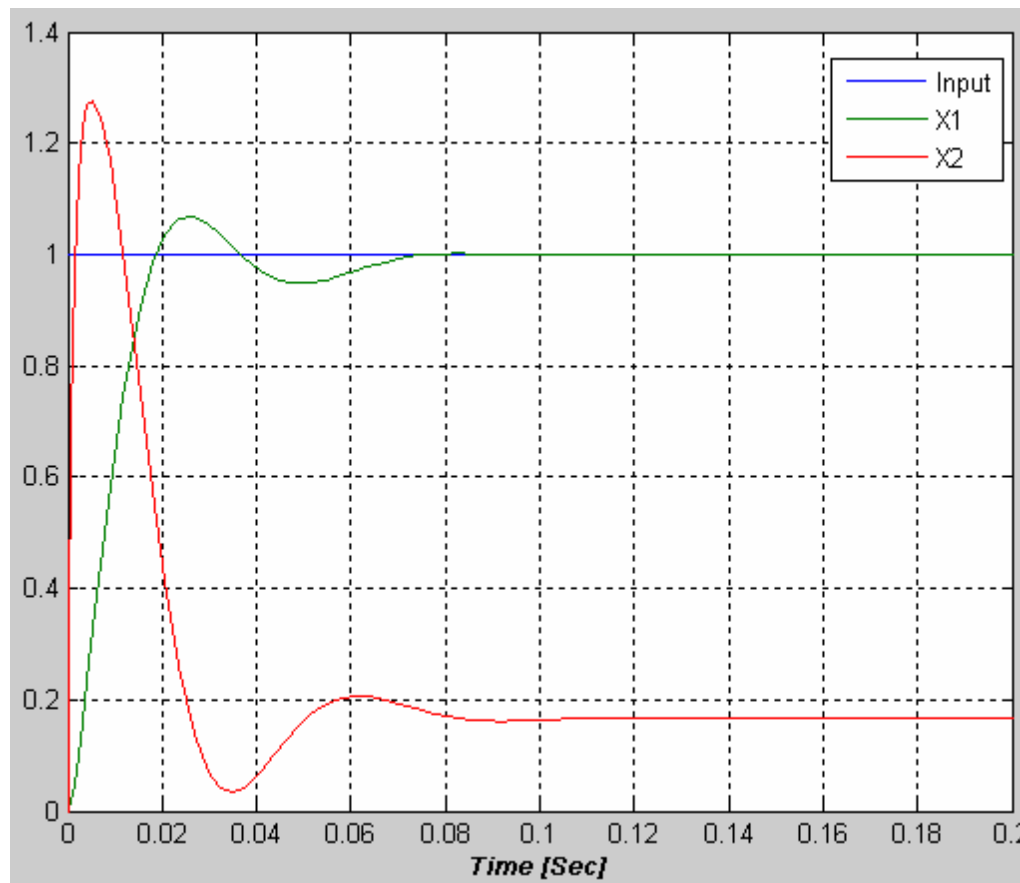
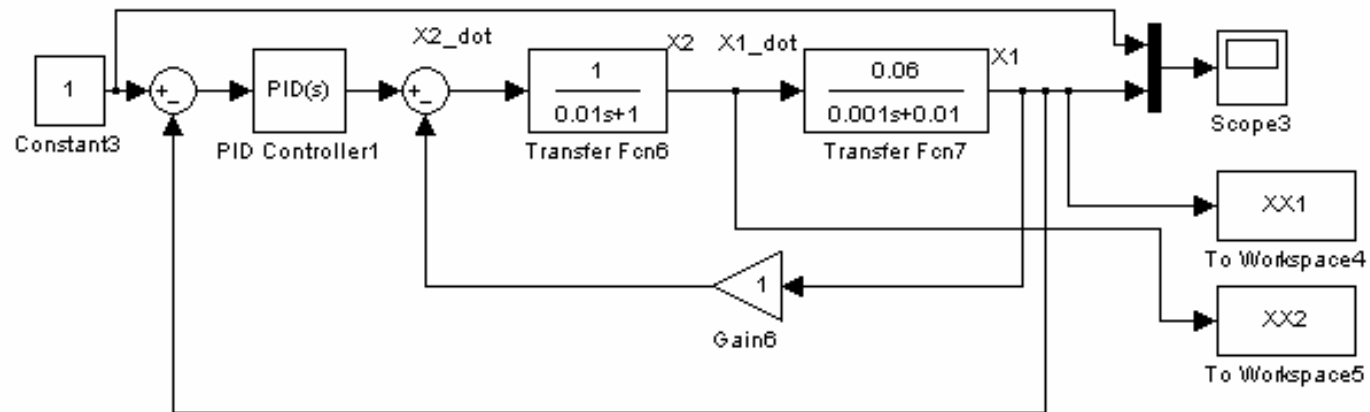




Lecture 2



Lecture 2



Lecture 2

Control Systems II "Dr. Ahmed El-Shenawy"

