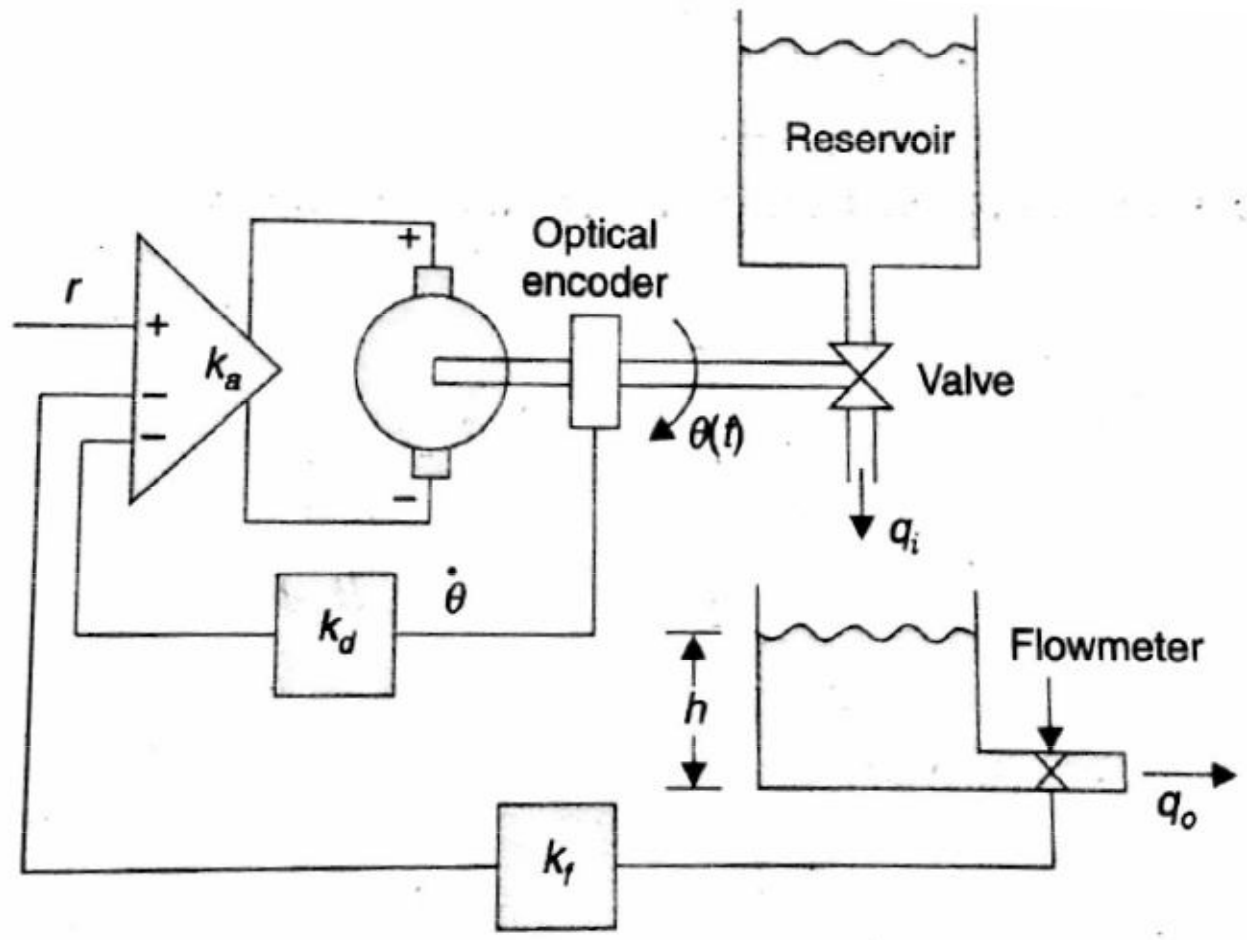


# Control Systems II

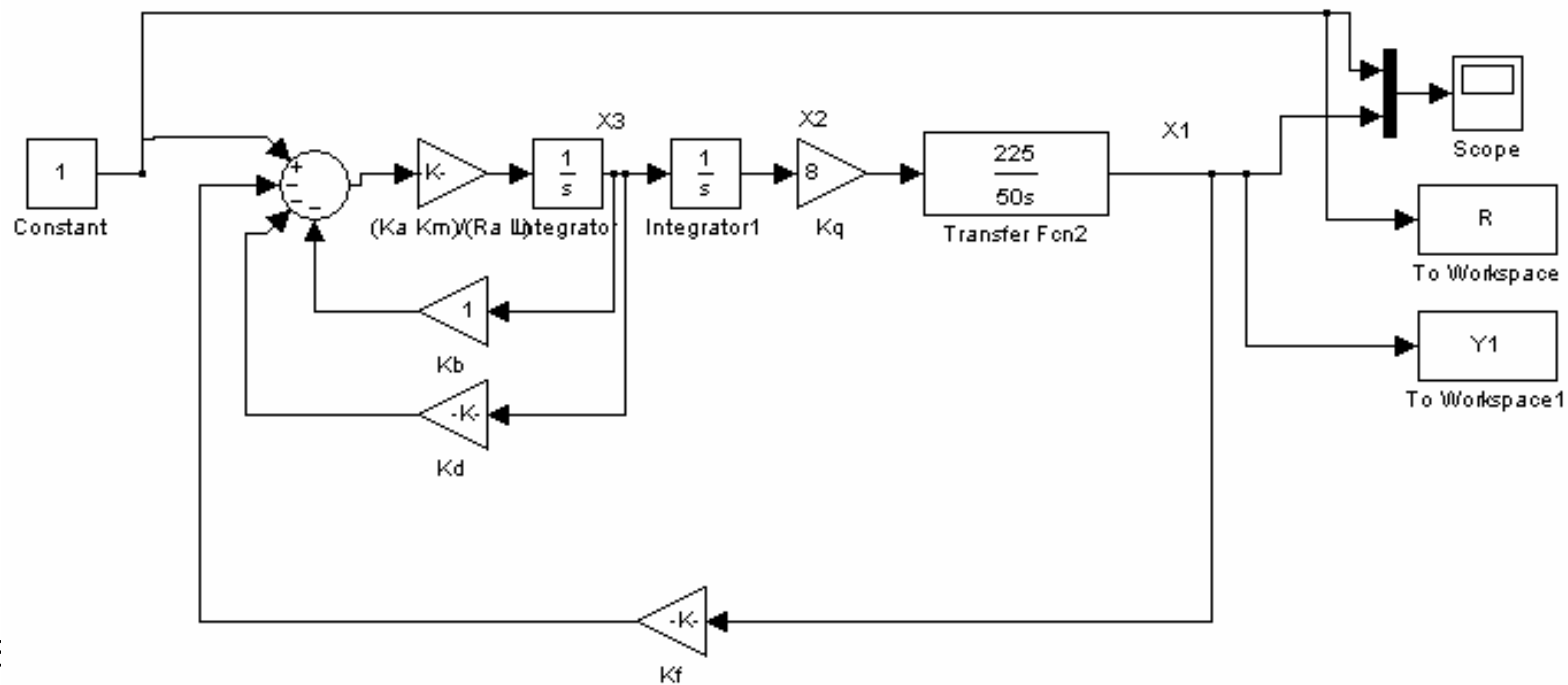
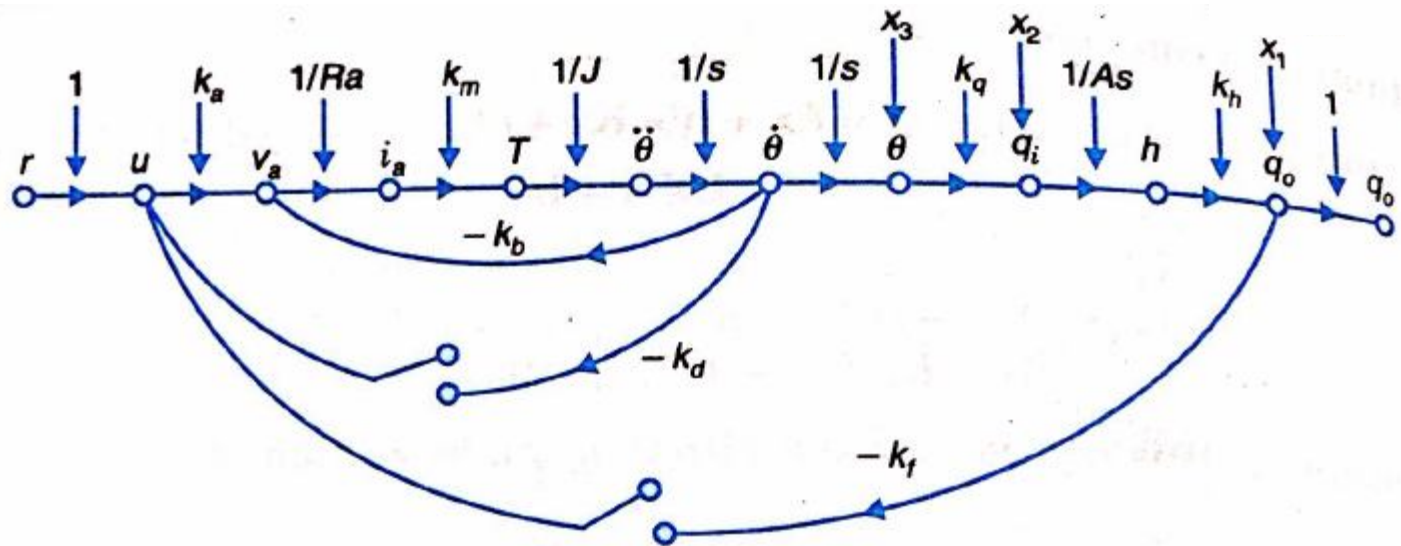
## Example 3

<Dr Ahmed El-Shenawy>



# Lecture 2

## Control Systems II "Dr. Ahmed El-Shenawy"



# Lecture 2

