



Problem Set (2)

- Figure 1, 2 & 3 show a cross section, a plan and a longitudinal section in a fence. It is required to calculate the following (using net in place method):
 - Volume of excavation.
 - Volume of plain concrete.
 - Volume of brick wall.
 - Volume of R.C using work sheet.
 - Volume of backfill.
- Calculate the above requirements a, b, c, d & e if the same fence is constructed for the plans shown in figures 4, 5 & 6.

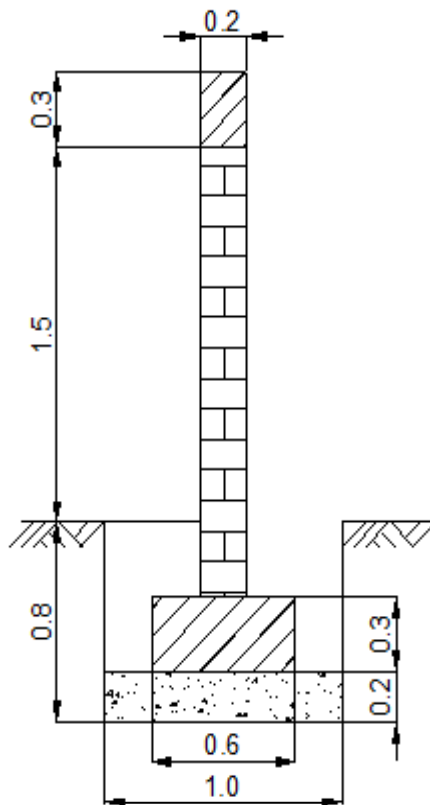


Fig (1) cross section

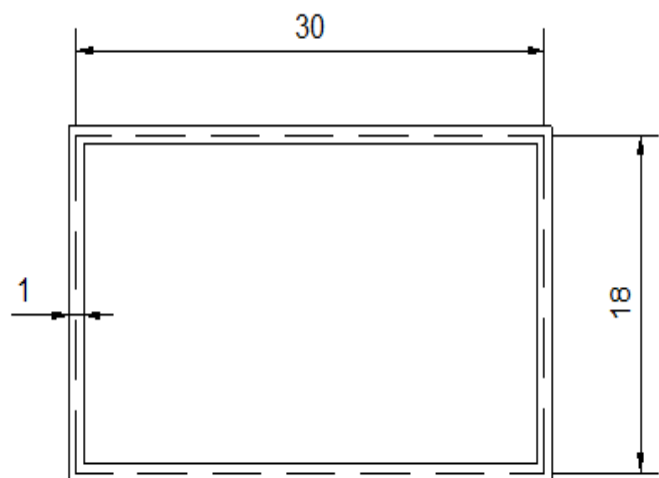


Fig (2) plan

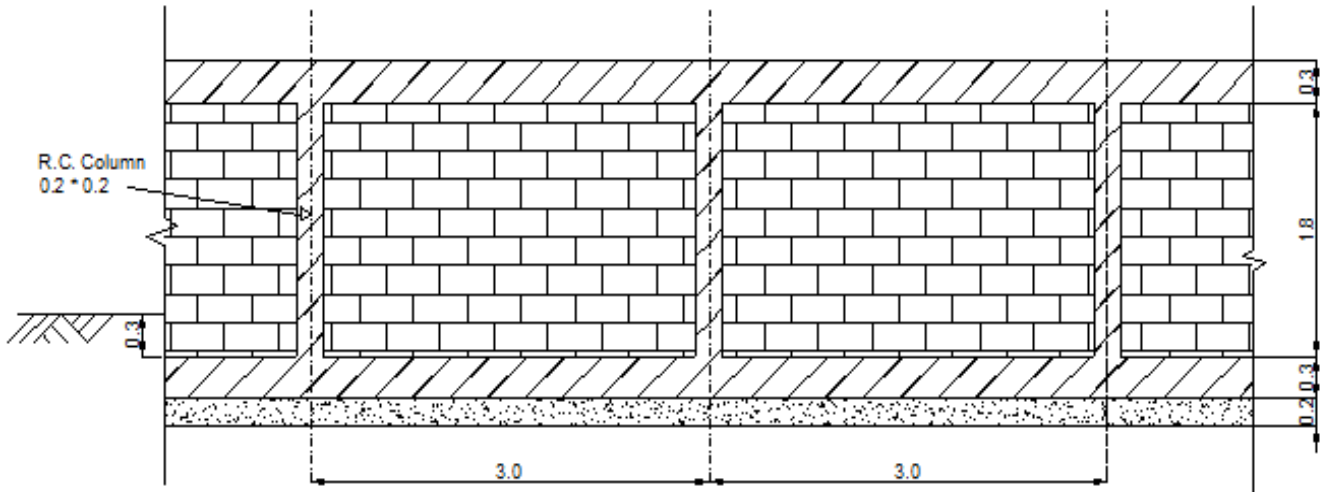


Fig (3) longitudinal section

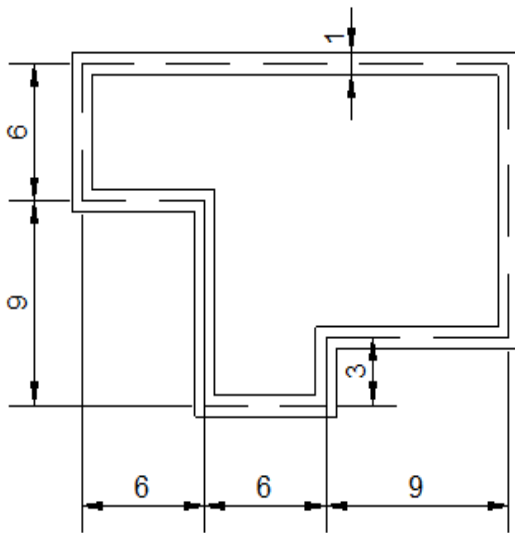


Fig (4)

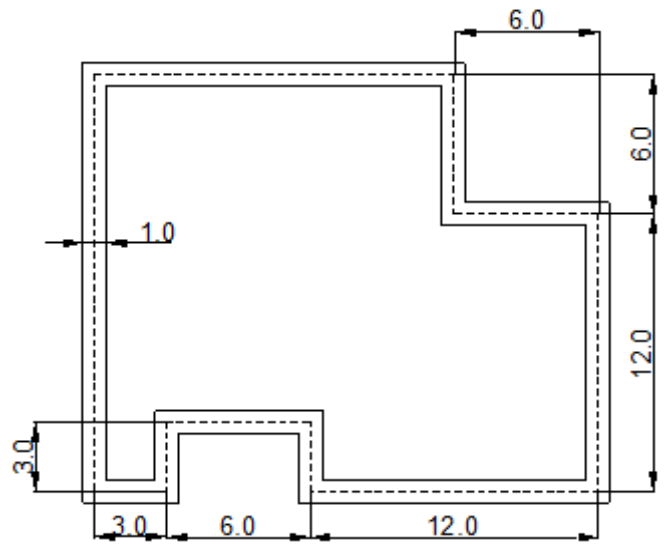


Fig (5)

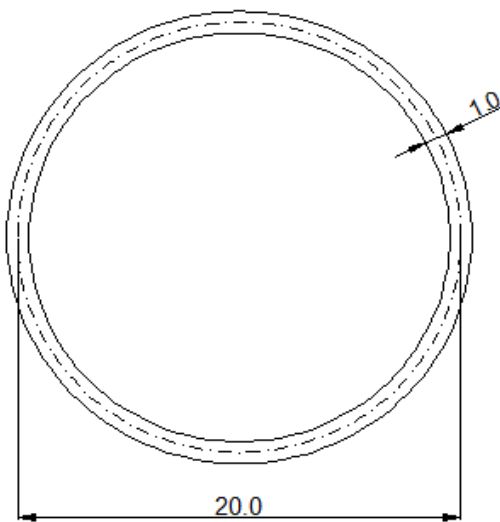


Fig (6)